

MPX 2/6...

6-Resonator Mini-Duplexer for the 160 MHz band

DESCRIPTION

- The MPX 2/6... is a 6-resonator miniaturized duplex filter for duplex radiotelephones. This compact "miniduplexer" meets the demand for a modern space saving, high performance filter type.
- Model MPX 2/6 L can be tuned within the band 138-156 MHz and model MPX 2/6 H within the band 152 - 175 MHz, both with duplex spacing between 4 and 15 MHz.
- The MPX 2/6... is primarily intended for equipment, where the TX and RX operate on single frequencies, but it can also, however with slightly reduced data, be used where the TX and RX operate on several channels, i.e. within a certain port bandwidth. In the last case, factory tuning is recommended.
- The miniaturization of the filter has been realized by using special high-Q, temperature compensated helical resonators with discrete-component interconnections.
- The housing is made of extruded aluminium, and the connectors are provided with teflon insulation.
- The filter is black vinyl coated to prevent corrosion.



ORDERING DESIGNATIONS

TYPE	PRODUCT NO.	TUNING RANGE (MHZ)	DUPLEX SPACING (MHZ)
MPX 2/6 L-4/6	200001607	138 - 156	4 - 6
MPX 2/6 L-6/15	200001637	138 - 156	6 - 15
MPX 2/6 H-4/6	200001608	152 - 175	4 - 6
MPX 2/6 H-6/15	200001614	152 - 175	6 - 15

ACCESSORIES

TYPE	PRODUCT NO.
CABLE KIT FOR HYTERA REPEATER RD 625	200002515

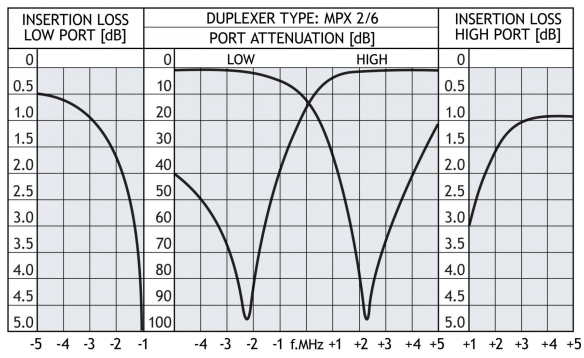
SPECIFICATIONS

ELECTRICAL	
MODEL	MPX 2/6...
TX/RX FREQUENCY	MPX 2/6 L : 138 - 156 MHz MPX 2/6 H : 152 - 175 MHz
MAX. INPUT POWER	50 W
INSERTION LOSS TX-ANT AND ANT-RX (at 4.5 MHz duplex spacing)	
Single-channel tuned	≤ 1.5 dB
Multi-channel tuned, 1.5 MHz BW	≤ 1.5 dB
TX NOISE SUPPRESSION ON RX-FREQUENCY	
Single-channel tuned	> 90 dB
Multi-channel tuned, 1.5 MHz BW	> 60 dB
RX ISOLATION ON TX-FREQUENCY	
Single-channel tuned	> 90 dB
Multi-channel tuned, 1.5 MHz BW	> 60 dB
DUPLEX SPACING	4 - 15 MHz (see table)
IMPEDANCE	Nom. 50 Ω
SWR	≤ 1.4
MECHANICAL	
TEMP. RANGE	-30° C → +60° C
CONNECTORS	BNC-female
DIMENSIONS (L x W x H)	133 x 154 x 33 mm
WEIGHT	Approx. 660 g

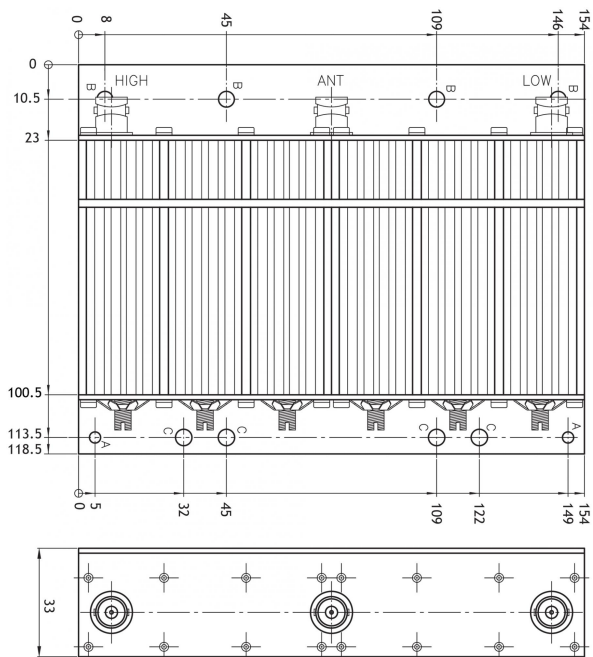
PLEASE NOTE

Special configurations of this filter type may be quoted on request. For instance, the filter can be delivered with other connector types or with flying leads (RG 316 coaxial cable) terminated with connectors or for soldering-connection.

TYPICAL RESPONSE CURVES



MOUNTING DETAILS



PROCOM A/S reserve the right to amend specifications without prior notice.

24/02/15